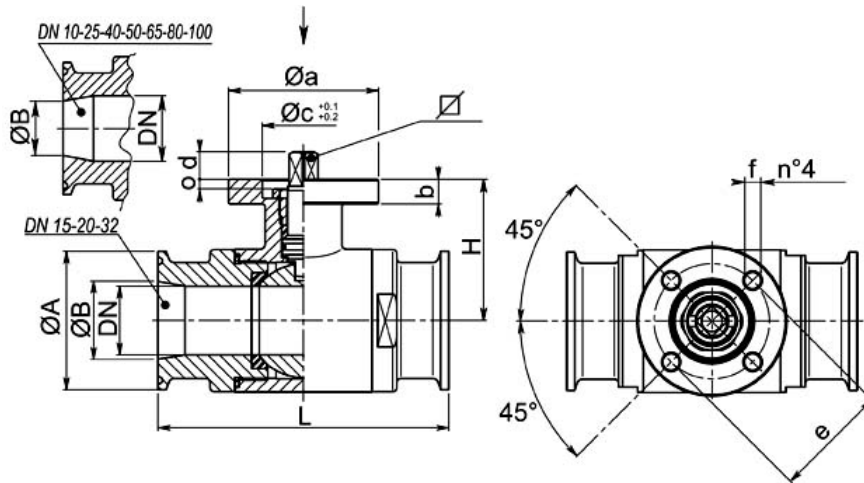




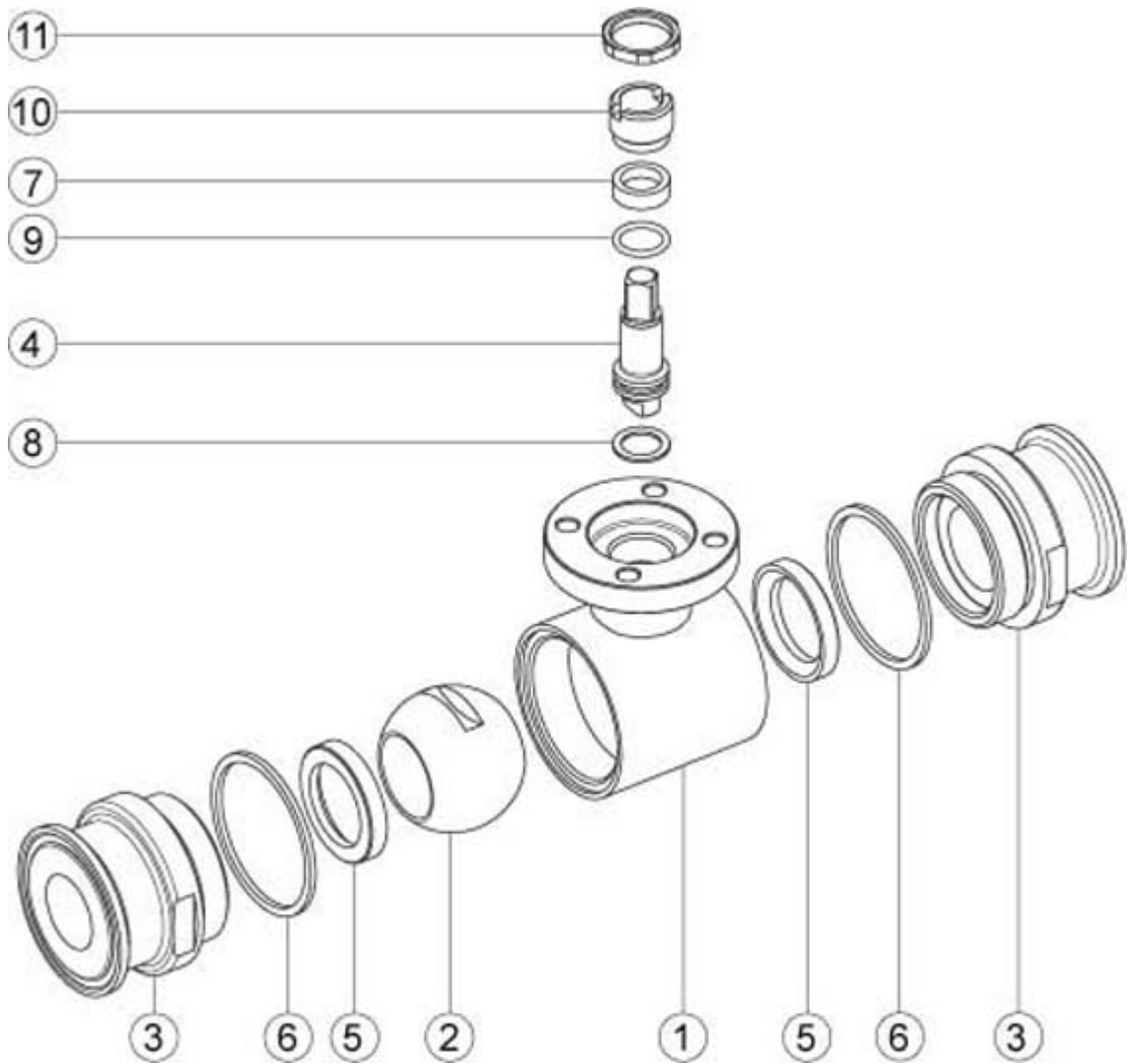
Two-way ball valve
 Drive: ISO 5211 - DIN 3337 flange for actuator
 Connection: **CLAMP normative DIN 32676 TAB.4 REIHE C**
According to normative BS/OD (ASTM A270) for TUBE
 Flow: full and reduced
 Material: Aisi 304L - 316L
 Measure: from 1/2" to 4"
 Seals: virgin P.T.F.E.
 Operating temperature: -20°C +160°C
 Outer finish: polished

On request
 Antistatic device ATEX (Directive 94/9/EC)
 • KF connection
 • Seals made of:
 P.T.F.E. with glass
 P.T.F.E. with carbograpthite
 High-molecular weight polyethylene



CLAMP REIHE C DN/OD	DN	L	Ø A	Ø B	H	PN	KG	ISO-DIN	Ø a	B	Ø c _{xo}	∅	D	E	F	n°4 bolts	NM	CODE AISI 304L	CODE AISI 316L
1/2"	10	88	25	9,4	39	64	0,44	F.03	46	9	25x3	9	8	36	6	M5x16	5		103030 61210
1/2"	10	88	25	9,4	39	64	0,46	F.04	54	9	30x3	11	10	42	6	M5x16	5		103030 6121F
3/4"	15	92	25	15,75	41,5	64	0,50	F.03	46	9	25x3	9	8	36	6	M5x16	8		103030 61810
3/4"	15	92	25	15,75	41,5	64	0,54	F.04	54	9	30x3	11	10	42	6	M5x16	8		103030 6181F
1"	20	102	50,5	22,1	45	64	0,95	F.03	46	9	25x3	9	8	36	6	M5x16	12	103030 42410	103030 62410
1"	20	102	50,5	22,1	45	64	0,96	F.04	54	9	30x3	11	10	42	6	M5x16	12	103030 4241F	103030 6241F
1"	25	106	50,5	22,1	51,5	40	1,31	F.04	54	9	30x3	11	10	42	6	M5x16	15	103030 42610	103030 62610
1"	25	106	50,5	22,1	51,5	40	1,36	F.05	65	9	35x3	14	13	50	7	M6x16	15	103030 4261F	103030 6261F
1 1/2"	32	112	50,5	34,8	56,5	40	1,42	F.04	54	9	30x3	11	10	42	6	M5x16	18	103030 43210	103030 63210
1 1/2"	32	112	50,5	34,8	56,5	40	1,49	F.05	65	9	35x3	14	13	50	7	M6x16	18	103030 4321F	103030 6321F
1 1/2"	40	126	50,5	34,8	76	40	2,42	F.05	65	12	35X4	14	13	50	7	M6X20	25	103030 43410	103030 63410
1 1/2"	40	126	50,5	34,8	76	40	2,57	F.07	90	12	55x4	17	15	70	9	M8x20	25	103030 4341F	103030 6341F
2"	50	136	64	47,5	84	25	3,44	F.05	65	12	35x4	14	13	50	7	M6x20	30	103030 43810	103030 63810
2"	50	136	64	47,5	84	25	3,61	F.07	90	12	55x4	17	15	70	9	M8x20	30	103030 4381F	103030 6381F
2 1/2"	65	154	77,5	60,2	94,5	25	5,84	F.07	90	12	55x4	17	15	70	9	M8x20	45	103030 44410	103030 64410
2 1/2"	65	154	77,5	60,2	94,5	25	6,34	F.10	125	12	70x4	22	18	102	11	M10x25	45	103030 4441F	103030 6441F
3"	80	184	91	72,9	106	25	8,90	F.07	90	12	55x4	17	15	70	9	M8x20	70	103030 44810	103030 64810
3"	80	184	91	72,9	106	25	9,40	F.10	125	12	70x4	22	18	102	11	M10x25	70	103030 4481F	103030 6481F
4"	100	190	119	97,38	120	25	13,33	F.07	90	12	55x4	17	15	70	9	M8x20	80	103030 45410	103030 65410
4"	100	190	119	97,38	120	25	13,83	F.10	125	12	70x4	22	18	102	11	M10x25	80	103030 4541F	103030 6541F

* Maximum break-out torque in Nm



POS.	DENOMINATION	PCS	MAT.
1	Body	1	AISI 316L
2	Ball	1	AISI 316L
3	Sleeves	2	AISI 316L
4	Stem	1	AISI 316L
5	Ball seals	2	PTFE
6	Sleeve seals	2	PTFE
7	Stem seal	1	PTFE
8	Stem seal	1	PTFE
9	Stem OR-seal	1	FKM
10	Register ring	1	AISI 304L (303)
11	Locknut	1	AISI 303

