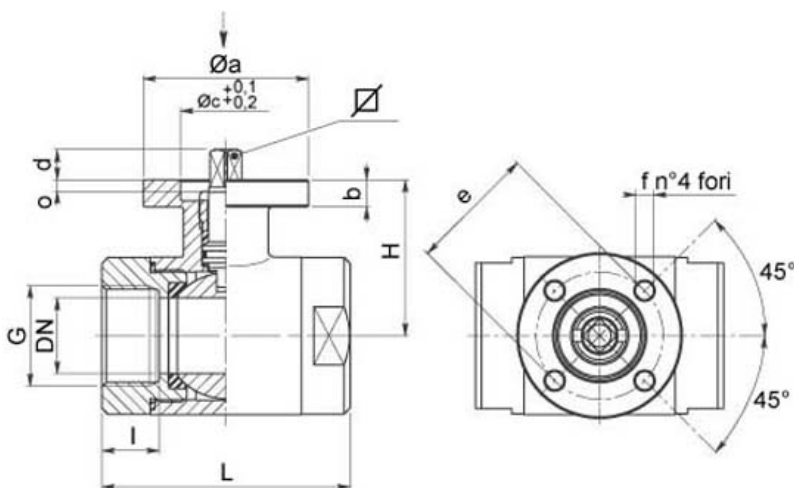




Two-way ball valve
 Drive: ISO 5211 - DIN 3337 flange for actuator
 Connection: NPT female/female thread
 Flow: full
 Material: Aisi 316L
 Measure: from 1/4" to 4"
 Seals: virgin P.T.F.E.
 Operating temperature: -20°C +160°C
 Outer finish: polished

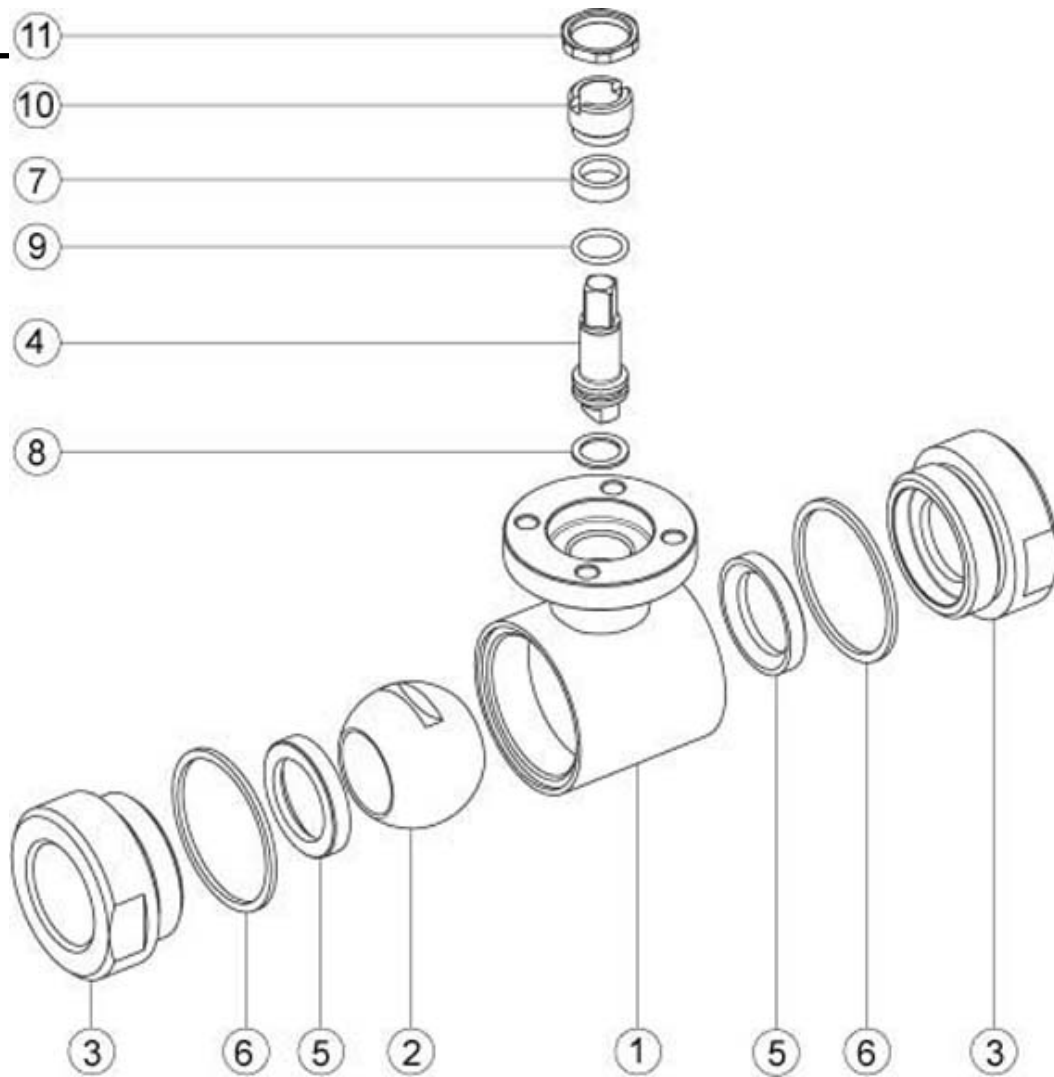
On request

- ISO 7 thread **Art.103002**
- Seals made of:
 P.T.F.E. with glass
 P.T.F.E. with carbographe
 High-molecular weight polyethylene



G	DN	L	I	H	PN	Kg	ISO-DIN	$\varnothing a$	b	$\varnothing c x 3$	\varnothing	d	e	F	n°4 bolts	NM	CODE AISI 316L
1/4"	9	52	13	39	64	0,35	F.03	46	9	25x3	9	8	36	6	M5x16	5	103004 60410
1/4"	9	52	13	39	64	0,39	F.04	54	9	30x3	11	10	42	6	M5x16	5	103004 6041F
3/8"	10	52	13	39	64	0,34	F.03	46	9	25x3	9	8	36	6	M5x16	5	103004 60810
3/8"	10	52	13	39	64	0,38	F.04	54	9	30x3	11	10	42	6	M5x16	5	103004 6081F
1/2"	15	62	16	41,5	64	0,45	F.03	46	9	25x3	9	8	36	6	M5x16	8	103004 61410
1/2"	15	62	16	41,5	64	0,50	F.04	54	9	30x3	11	10	42	6	M5x16	8	103004 6141F
3/4"	20	72	18	45	64	0,66	F.03	46	9	25x3	9	8	36	6	M5x16	12	103004 62010
3/4"	20	72	18	45	64	0,68	F.04	54	9	30x3	11	10	42	6	M5x16	12	103004 6201F
1"	25	82	19	51,5	40	0,90	F.04	54	9	30x3	11	10	42	6	M5x16	15	103004 62610
1"	25	82	19	51,5	40	0,95	F.05	65	9	35x3	14	13	50	7	M6x16	15	103004 6261F
1*1/4	32	92	20	56,5	40	1,30	F.04	54	9	30x3	11	10	42	6	M5x16	18	103004 63010
1*1/4	32	92	20	56,5	40	1,34	F.05	65	9	35x3	14	13	50	7	M6x16	18	103004 6301F
1*1/2	40	104	20	76	40	2,31	F.05	65	12	35X4	14	13	50	7	M6X20	25	103004 63410
1*1/2	40	104	20	76	40	2,48	F.07	90	12	55x4	17	15	70	9	M8x20	25	103004 6341F
2"	50	116	20	84	25	3,40	F.05	65	12	35x4	14	13	50	7	M6x20	30	103004 63810
2"	50	116	20	84	25	3,56	F.07	90	12	55x4	17	15	70	9	M8x20	30	103004 6381F
2*1/2	65	136	26	94,5	25	-	F.07	90	12	55x4	17	15	70	9	M8x20	45	103004 64410
2*1/2	65	136	26	94,5	25	-	F.10	125	12	70x4	22	18	102	11	M10x25	45	103004 6441F
3"	80	160	28	106	25	-	F.07	90	12	55x4	17	15	70	9	M8x20	70	103004 64810
3"	80	160	28	106	25	-	F.10	125	12	70x4	22	18	102	11	M10x25	70	103004 6481F
4"	100	188	30	120	25	-	F.07	90	12	55x4	17	15	70	9	M8x20	80	103004 65410
4"	100	188	30	120	25	-	F.10	125	12	70x4	22	18	102	11	M10x25	80	103004 6541F

* Maximum break-out torque in Nm



POS.	DENOMINATION	PCS	MAT.
1	Body	1	AISI 316L
2	Ball	1	AISI 316L
3	Sleeves	2	AISI 316L
4	Stem	1	AISI 316L
5	Ball seals	2	PTFE
6	Sleeve seals	2	PTFE
7	Stem seal	1	PTFE
8	Stem seal	1	PTFE
9	Stem OR-seal	1	FKM
10	Register ring	1	AISI 304L (303)
11	Locknut	1	AISI 303

