

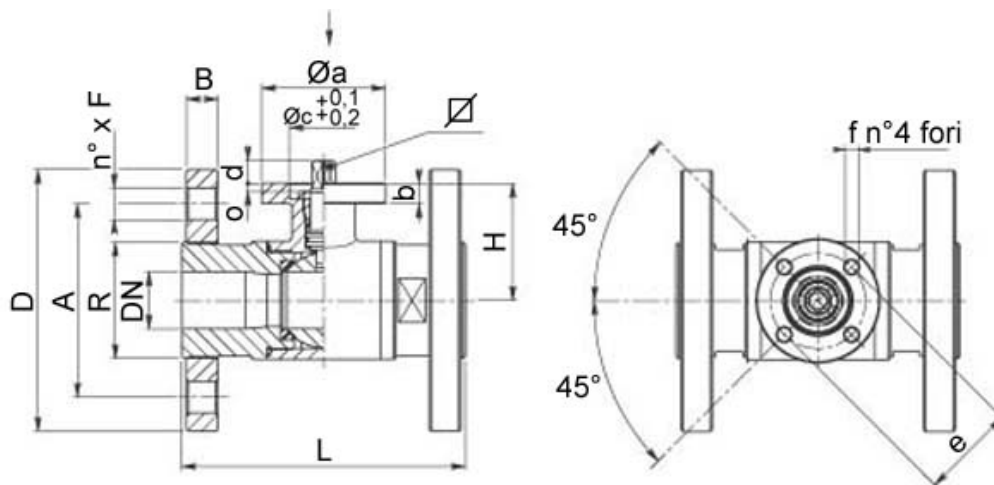


Two-way ball valve
 Drive: ISO 5211 - DIN 3337 flange for actuator
 Connection: revolving threaded flanges UNI EN 1092-1:2003
 Flow: full Material: Aisi 304 -316
 Measure: from DN 10 to DN 100
 Seals: virgin P.T.F.E.
 Operating temperature: -20°C +160°C
 Outer finish: polished

On request

Antistatic device ATEX (Directive 94/9/EC)

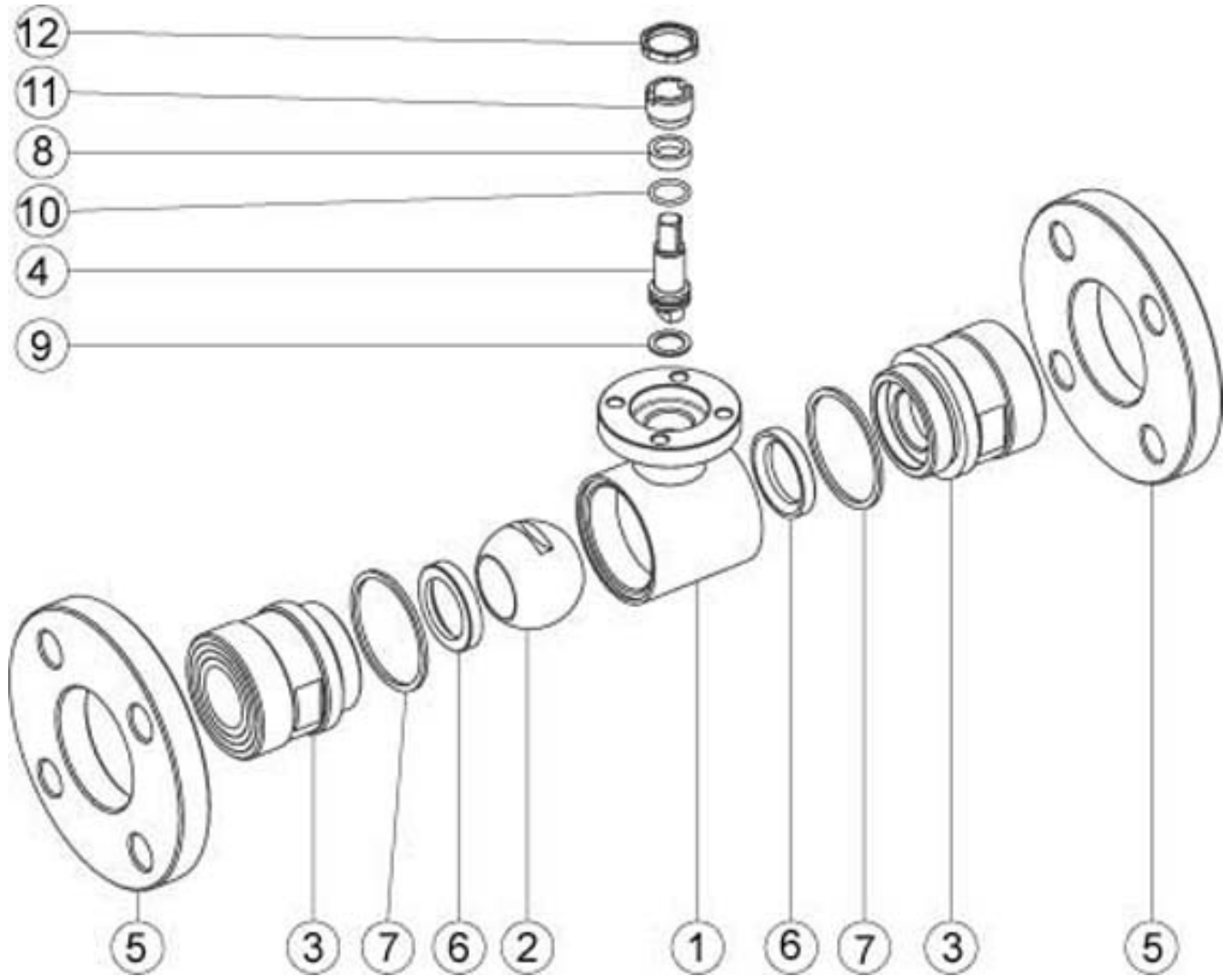
- zinc-plated flanges
- ANSI 150 flanges
- ANSI 300 flanges
- Seals made of:
- P.T.F.E. with glass
- P.T.F.E. with carbograpite
- High-molecular weight polyethylene



DN	L	H	D	B	R	A	n° x F	PN	Kg	ISO-DIN	Δa	b	$\Delta c \times \Delta d$	Δe	Δf	n° 4 bolts	Nm	CODE AISI 304L	CODE AISI 316L		
10 **	110	39	90	12	30	60	4 x 14	40	1,60	F.03	46	9	25x3	9	8	36	6	M5x16	5	103050 40810	103050 60810
10 **	110	39	90	12	30	60	4 x 14	40	1,65	F.04	54	9	30x3	11	10	42	6	M5x16	5	103050 4081F	103050 6081F
15 **	115	41.5	95	12	35	65	4 x 14	40	1,80	F.03	46	9	25x3	9	8	36	6	M5x16	8	103050 41410	103050 61410
15 **	115	41.5	95	12	35	65	4 x 14	40	1,83	F.04	54	9	30x3	11	10	42	6	M5x16	8	103050 4141F	103050 6141F
20 **	120	45	105	14	42	75	4 x 14	40	2,53	F.03	46	9	25x3	9	8	36	6	M5x16	12	103050 42010	103050 62010
20 **	120	45	105	14	42	75	4 x 14	40	2,65	F.04	54	9	30x3	11	10	42	6	M5x16	12	103050 4201F	103050 6201F
25 **	125	51.5	115	14	51	85	4 x 14	40	3,33	F.04	54	9	30x3	11	10	42	6	M5x16	15	103050 42610	103050 62610
25 **	125	51.5	115	14	51	85	4 x 14	40	3,45	F.05	65	9	35x3	14	13	50	7	M6x16	15	103050 4261F	103050 6261F
32 **	130	56.5	140	16	63	100	4 x 18	40	4,98	F.04	54	9	30x3	11	10	42	6	M5x16	18	103050 43010	103050 63010
32 **	130	56.5	140	16	63	100	4 x 18	40	5,04	F.05	65	9	35x3	14	13	50	7	M6x16	18	103050 4301F	103050 6301F
40	140	76	150	16	75	110	4 x 18	25	6,35	F.05	65	12	35x4	14	13	50	7	M6x20	25	103050 43410	103050 63410
40	140	76	150	16	75	110	4 x 18	25	6,52	F.07	90	12	55x4	17	15	70	9	M8x20	25	103050 4341F	103050 6341F
50	150	84	165	18	89	125	4 x 18	25	8,90	F.05	65	12	35x4	14	13	50	7	M6x20	30	103050 43810	103050 63810
50	150	84	165	18	89	125	4 x 18	25	9,15	F.07	90	12	55x4	17	15	70	9	M8x20	30	103050 4381F	103050 6381F
65	170	94.5	185	18	110	145	4 x 18	16	13,96	F.07	90	12	55x4	17	15	70	9	M8x20	45	103050 44410	103050 64410
65	170	94.5	185	18	110	145	4 x 18	16	14,46	F.10	125	12	70x4	22	18	102	11	M10x25	45	103050 4441F	103050 6441F
65	170	94.5	185	20	110	145	8 x 18	25	-	F.07	90	12	55x4	17	15	70	9	M8x20	45	103052 44410	103052 64410
65	170	94.5	185	20	110	145	8 x 18	25	-	F.10	125	12	70x4	22	18	102	11	M10x25	45	103052 4441F	103052 6441F
80	180	106	200	18	120	160	8 x 18	16	16,10	F.07	90	12	55x4	17	15	70	9	M8x20	70	103050 44810	103050 64810
80	180	106	200	18	120	160	8 x 18	16	16,60	F.10	125	12	70x4	22	18	102	11	M10x25	70	103050 4481F	103050 6481F
100	190	120	220	20	140	180	8 x 18	16	22,00	F.07	90	12	55x4	17	15	70	9	M8x20	80	103050 45410	103050 65410
100	190	120	220	20	140	180	8 x 18	16	22,50	F.10	125	12	70x4	22	18	102	11	M10x25	80	103050 4541F	103050 6541F
125 Reduced 100	200	120	250	22	153	210	8 x 18	16	-	F.07	90	12	55x4	17	15	70	9	M8x20	80	103050 45510	103050 65510
125 Reduced 100	200	120	250	22	153	210	8 x 18	16	-	F.10	125	12	70x4	22	18	102	11	M10x25	80	103050 4551F	103050 6551F

Maximum break-out torque in Nm

**From DN10 to DN32 to pair with assembly KIT 747500



POS.	DENOMINATION	PCS	MAT.
1	Body	1	AISI 304L - 316L
2	Ball	1	AISI 304L - 316L
3	Sleeves	2	AISI 304L - 316L
4	Stem	1	AISI 304L - 316L
5	Flanges	2	AISI 304L - 316L - Aq
6	Ball seals	2	PTFE
7	Sleeve seals	2	PTFE
8	Stem seal	1	PTFE
9	Stem seal	1	PTFE
10	Stem OR-seal	1	FKM
11	Register ring	1	AISI 304L (303)
12	Locknut	1	AISI 303

