

Elettropompa dosatrice a membrana diretta
regolazione manuale da 0÷100%
motore trifase o monofase

Direct diaphragm metering pump
manual adjustment from 0÷100%
three or singlephase motor

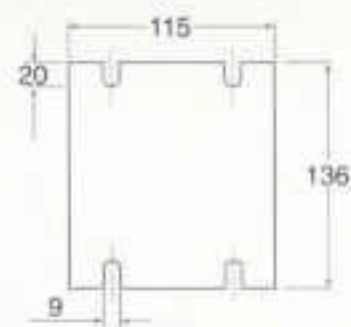
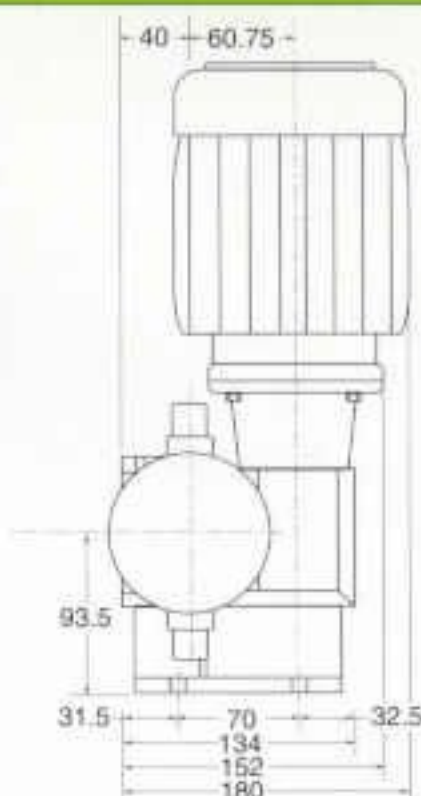
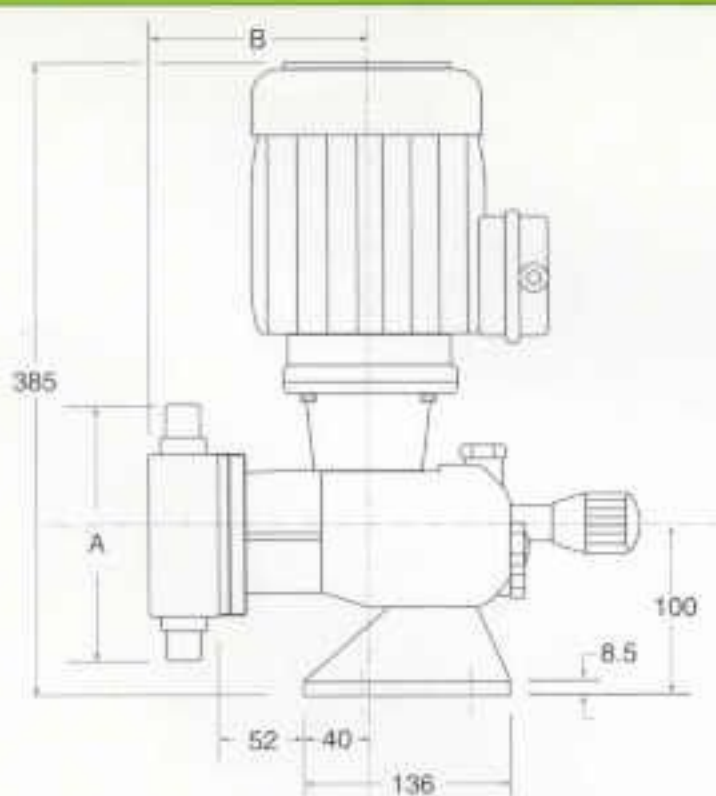
DATI CARATTERISTICI

PERFORMANCE

Modello	Corsa mm	Membrana mm	Colpi al 1'	Motore Kw	Portata lt/h			Attacchi	
Type	Stroke mm	Diaphragm mm	Speed s. per 1'	Motor Kw	Capacity lt/h			Connections	
					BAR				
					0	3	6	01	03
UGD	10	75	40	0.18 6P	65	62	60	1/2 GM	1/2 GF
UGD	10	75	60	0.25 4P	100	85	80	1/2 GM	1/2 GF
UGD	10	75	120	0.25 4P	200	185	180	1/2 GM	1/2 GF
UGD	10	100	60	0.37 4P	210	180	—	3/4 GF	3/4 GF
UGD	10	100	120	0.37 4P	400	360	—	3/4 GF	3/4 GF

DIMENSIONI D'INGOMBRO

OVERALL DIMENSIONS



Membrana Diaphragm	A		B	
	01	03	01	03
Tipo 75 Type 75	165	220	150	170
Tipo 100 Type 100	230	240	170	190

COSTRUZIONE / CONSTRUCTION

	01	03
Testata Pompa / Pump Head	AISI 316	PVC
Membrana/Diaphragm	NBR/PTFE	NBR/PTFE
Valvole/Valves	AISI 316	PYREX
Sede Valvola/Valve Seat	AISI 316	PVC
Guarnizioni/Valve Seal	PTFE	PTFE