

DATI CARATTERISTICI

PERFORMANCE

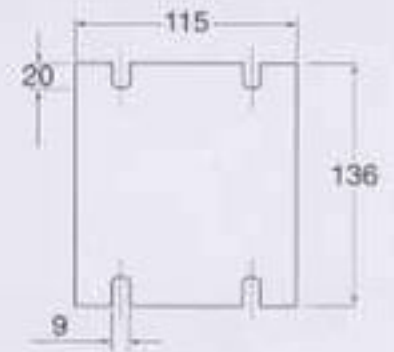
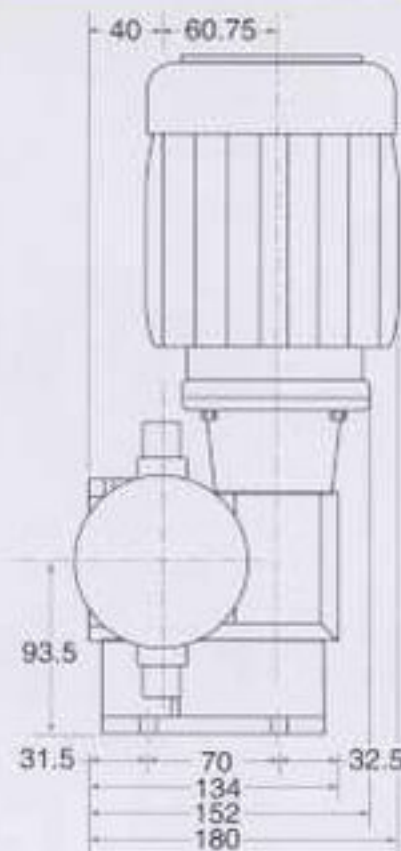
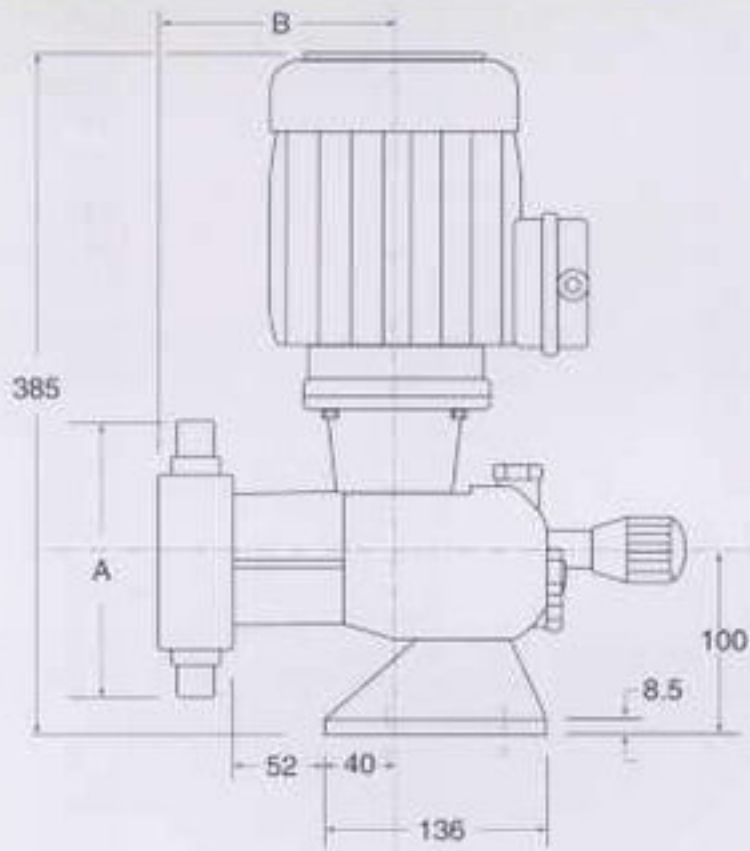
Modello	Corsa mm	Pistone mm	Colpi al 1'	Portata max l/h	Press. max Bar		Attacchi		Motore Kw
					01-02	03	01-02	03	
Type	Stroke mm	Plunger mm	Speed s. per 1'	Capacity max l/h	Max. Pressure Bar		Connections		Motor Kw
					01-02	03	01-02	03	
UG.0	10	10	60	2.8	30 (150)**	10	3/8" Gm	3/8" Gf	0,25
UG.1	15	10	60	4.2	30 (150)**	10	3/8" Gm	3/8" Gf	0,25
UG.0	10	10	120	5.6	30 (150)**	10	3/8" Gm	3/8" Gf	0,25
UG.1	15	10	120	8.4	30 (150)**	10	3/8" Gm	3/8" Gf	0,25
UG.0	10	20	60	11.3	30 (47)**	10	3/8" Gm	3/8" Gf	0,25
UG.1	15	20	60	16.9	30 (47)**	10	3/8" Gm	3/8" Gf	0,25
UG.0	10	20	120	22	30 (47)**	10	3/8" Gm	3/8" Gf	0,25
UG.1	15	20	120	33	30 (47)**	10	3/8" Gm	3/8" Gf	0,25
UG.0	10	25	60	17	30	10	3/8" Gm	3/8" Gf	0,25
UG.1	15	25	60	26	30	10	3/8" Gm	3/8" Gf	0,25
UG.0	10	25	120	35	30	10	3/8" Gm	3/8" Gf	0,25
UG.1	15	25	120	52	30	10	3/8" Gm	3/8" Gf	0,25
UG.0	10	38	60	40	13	10	1/2" Gm	1/2" Gf	0,25
UG.1	15	38	60	61	13	10	1/2" Gm	1/2" Gf	0,25
UG.0	10	38	120	81	13	10	1/2" Gm	1/2" Gf	0,25
UG.1	15	38	120	122	13	10	1/2" Gm	1/2" Gf	0,25
UG.0	10	48	60	64	8	8	1/2" Gm	1/2" Gf	0,25
UG.1	15	48	60	96	8	8	1/2" Gm	1/2" Gf	0,25
UG.0	10	48	120	128	8	8	1/2" Gm	1/2" Gf	0,25
UG.1	15	48	120	192	8	8	1/2" Gm	1/2" Gf	0,25
UG.0	10	54	60	82	6	6	3/4" Gf	3/4" Gf	0,37
UG.1	15	54	60	123	6	6	3/4" Gf	3/4" Gf	0,37
UG.0	10	54	120	164	6	6	3/4" Gf	3/4" Gf	0,37
UG.1	15	54	120	246	6	6	3/4" Gf	3/4" Gf	0,37
UG.0	10	64	60	115	4	4	3/4" Gf	3/4" Gf	0,37
UG.1	15	64	60	172	4	4	3/4" Gf	3/4" Gf	0,37
UG.0	10	64	120	231	4	4	3/4" Gf	3/4" Gf	0,37
UG.1	15	64	120	347	4	4	3/4" Gf	3/4" Gf	0,37

** Valori di pressione max ammissibile con pompa non di serie.
Le pompe vengono fornite con motore elettrico CVE Kw 0,25
V 220/400/3/50 - IP 55 - Cl F - Forma B 14.

** Max. pressure available with not standard pumps.
Standard electric motors are TEFC Kw 0,25
V 220/400/3/50 - IP 55 - Cl F - Frame B 14.

DIMENSIONI D'INGOMBRO

OVERALL DIMENSIONS



Testata pompa Pump head	A		B	
	01	03	01	03
10	200*	245*	120	120
20	130	160	120	120
25	130	160	120	120
38	130	185	125	140
48	140	190	150	150
54	225	215	150	145
64	185	215	115	145

* Doppie valvole / Double valves

COSTRUZIONE / CONSTRUCTION

Particolari/Parts	01	02	03	04	05	06	07	08	09	10	11
Testata Pompa / Pump Head	A 316	A 304	PVC	A 316	A 420	A 316	PVC	A 316	PVC	A 316	A 316
Pistone/Plunger	A 316	A 304	Ceramica	Ceramica	A 420	A 316	Ceramica	A 316	Ceramica	A 316	Ceramica
Valvole/Valves	A 316	A 304	Pyrex	A 316	A 420	A 316	Pyrex	A 316	Pyrex	A 316	A 316
Sede Valvola/Valve Seat	A 316	A 304	PVC	A 316	A 420	A 316	PVC	A 316	PVC	A 316	A 316
Guarniz. Pistone/Plunger Seal	Viton	Viton	Viton	Viton	EPDM	PTFE	PTFE	EPDM	EPDM	Silicone	Adiprene