

DATI CARATTERISTICI

PERFORMANCE

Modello	Corsa mm	Pistone mm	Colpi al 1'	Portata max l/h	Press. max Bar		Press. max Bar	
					01-02	03	01-02	03
Type	Stroke mm	Plunger mm	Speed s. per 1'	Capacity max l/h	Max. Pressure Bar		Connections	
					01-02	03	01-02	03
M	25	25	60	44	30 (60)**	10	1/2" Gm	1/2" Gf
M	35	25	60	62	30 (60)**	10	1/2" Gm	1/2" Gf
M	25	25	120	88	30 (60)**	10	1/2" Gm	1/2" Gf
M	35	25	120	124	30 (60)**	10	1/2" Gm	1/2" Gf
M	25	38	60	96	28	10	DN 15	DN 15
M	35	38	60	135	28	10	DN 15	DN 15
M	25	38	120	192	28	10	DN 15	DN 15
M	35	38	120	270	28	10	DN 15	DN 15
M	25	48	60	163	17	10	DN 15	DN 15
M	35	48	60	228	17	10	DN 15	DN 15
M	25	48	120	326	17	10	DN 15	DN 15
M	35	48	120	456	17	10	DN 15	DN 15
M	25	64	60	289	9	9	DN 25	DN 25
M	35	64	60	405	9	9	DN 25	DN 25
M	25	64	120	578	9	9	DN 25	DN 25
M	35	64	120	810	9	9	DN 25	DN 25
M	25	89	60	559	5	5	DN 40	DN 40
M	35	89	60	783	5	5	DN 40	DN 40
M	25	89	120	1118	5	5	DN 40	DN 40
M	35	89	120	1566	5	5	DN 40	DN 40

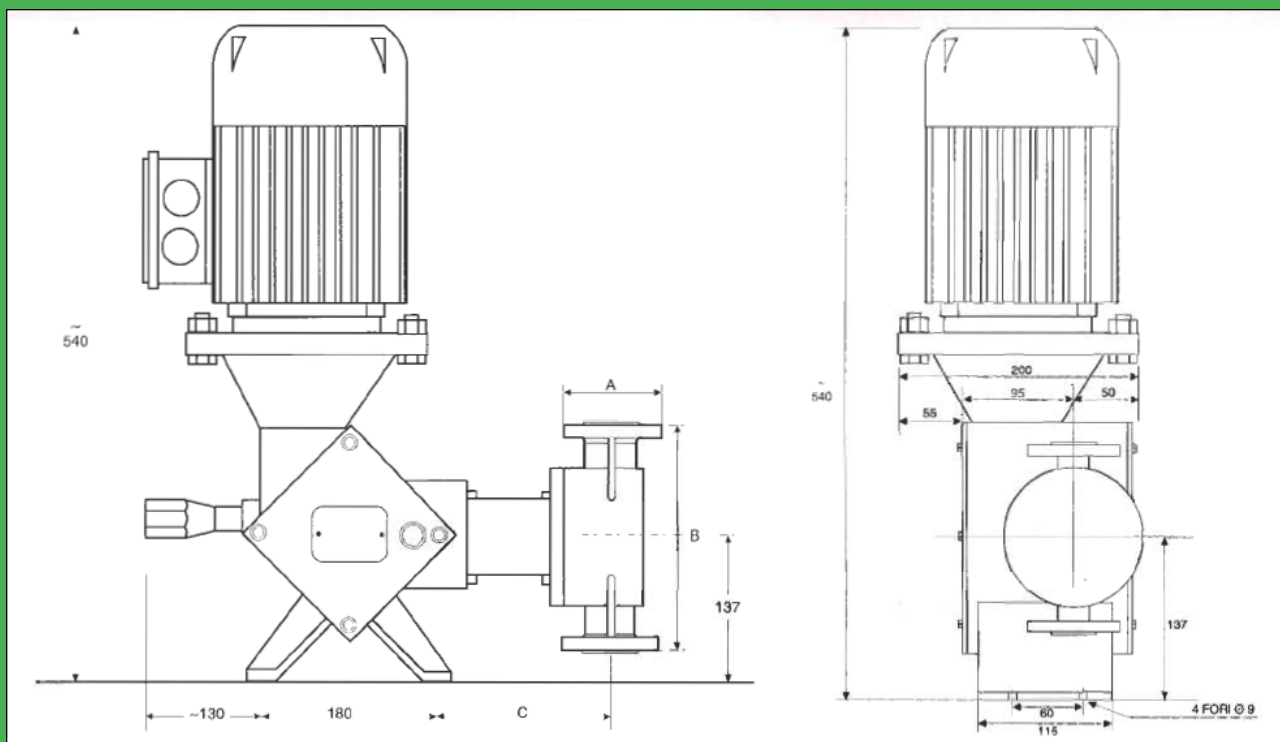
**Valori di pressione max ammissibile con pompa non di serie.
Le pompe vengono fornite con motore trifase CVE HP 1 o 1,5
V 220/380 50Hz IP 55 Forma B 5

**Max pressure available with not standard pumps.
Standard motors are TEFC threephases HP 1 – 1,5
V 220/380 50Hz IP 55 Protection B 5 construction

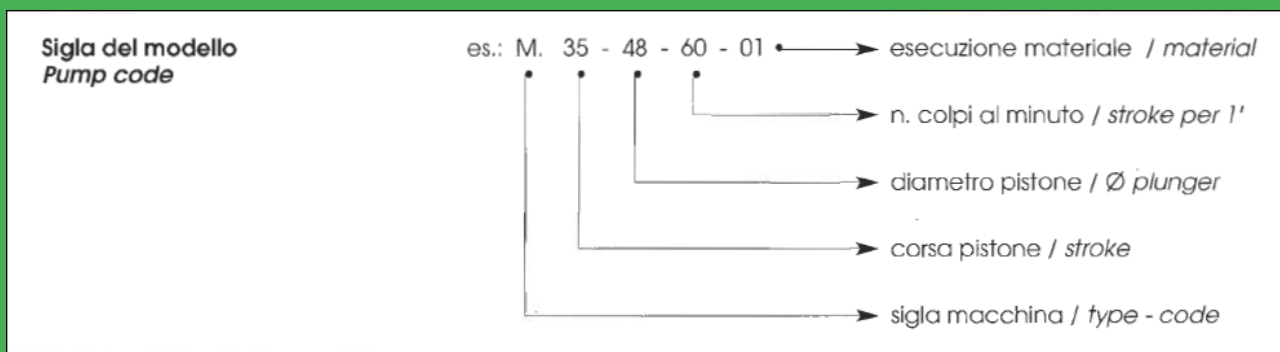
Particolari / Parts	Esecuzioni / Executions				
	01	02	03	04	05
Corpo testata / Pump head	AISI 316	AISI 304	PVC	AISI 316	AISI 304
Pistone / Plunger	AISI 316	AISI 304	CERAMICA	CERAMICA	AISI 420
Valvola / Valve	AISI 316	AISI 304	PIREX	AISI 316	AISI 420
Sede valvola / Valve seat	AISI 316	AISI 304	PVC	AISI 316	AISI 420
Guarnizione pistone / Plunger seal	VITON	VITON	VITON	VITON	DUTRAL

DIMENSIONI D'INGOMBRO

OVERALL DIMENSION

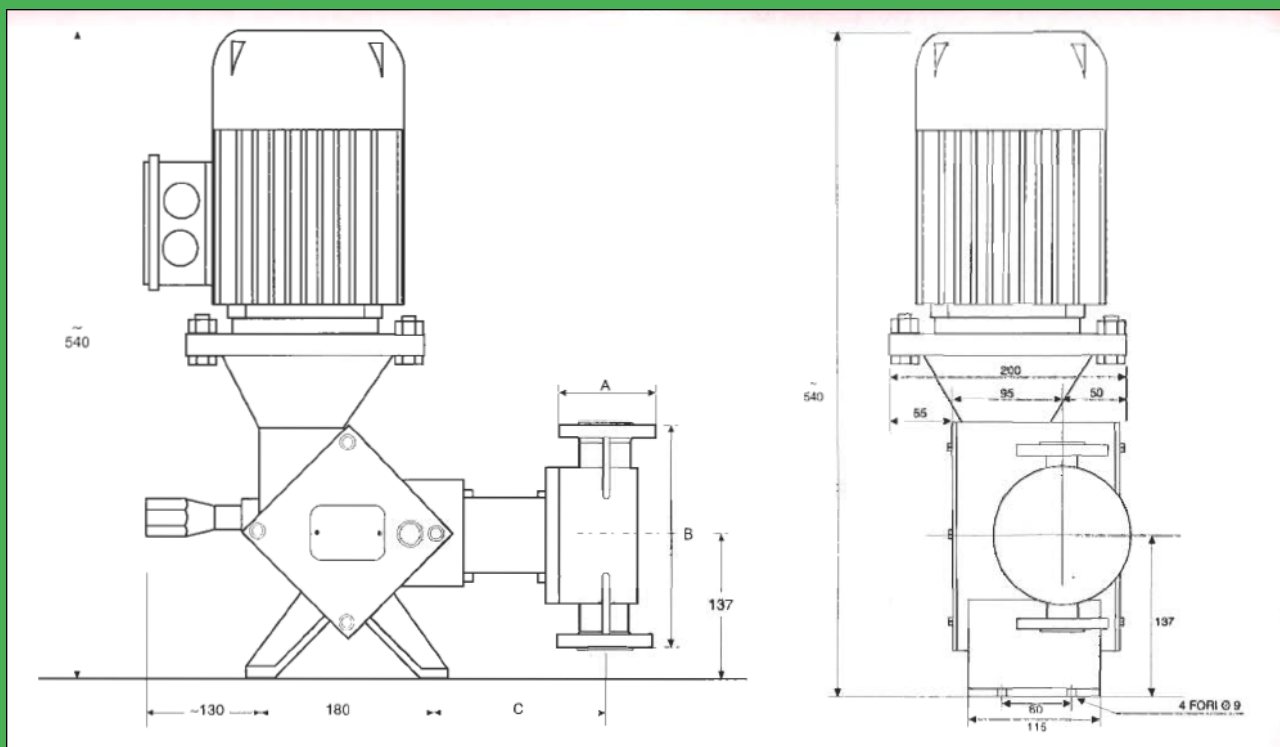


Corpo testata Pump head	A		B		C	
	01.02	03	01.02	03	01.02	03
25	1/2 GM	1/2 GF	135	160	180	170
38	95	110	165	170	180	170
48	95	110	165	170	180	170
64	115	120	215	220	180	180
89	150	160	275	285	185	195



DIMENSIONI D'INGOMBRO

OVERALL DIMENSION



Corpo testata Pump head	A		B		C	
	01.02	03	01.02	03	01.02	03
25	1/2 GM	1/2 GF	135	160	180	170
38	95	110	165	170	180	170
48	95	110	165	170	180	170
64	115	120	215	220	180	180
89	150	160	275	285	185	195

