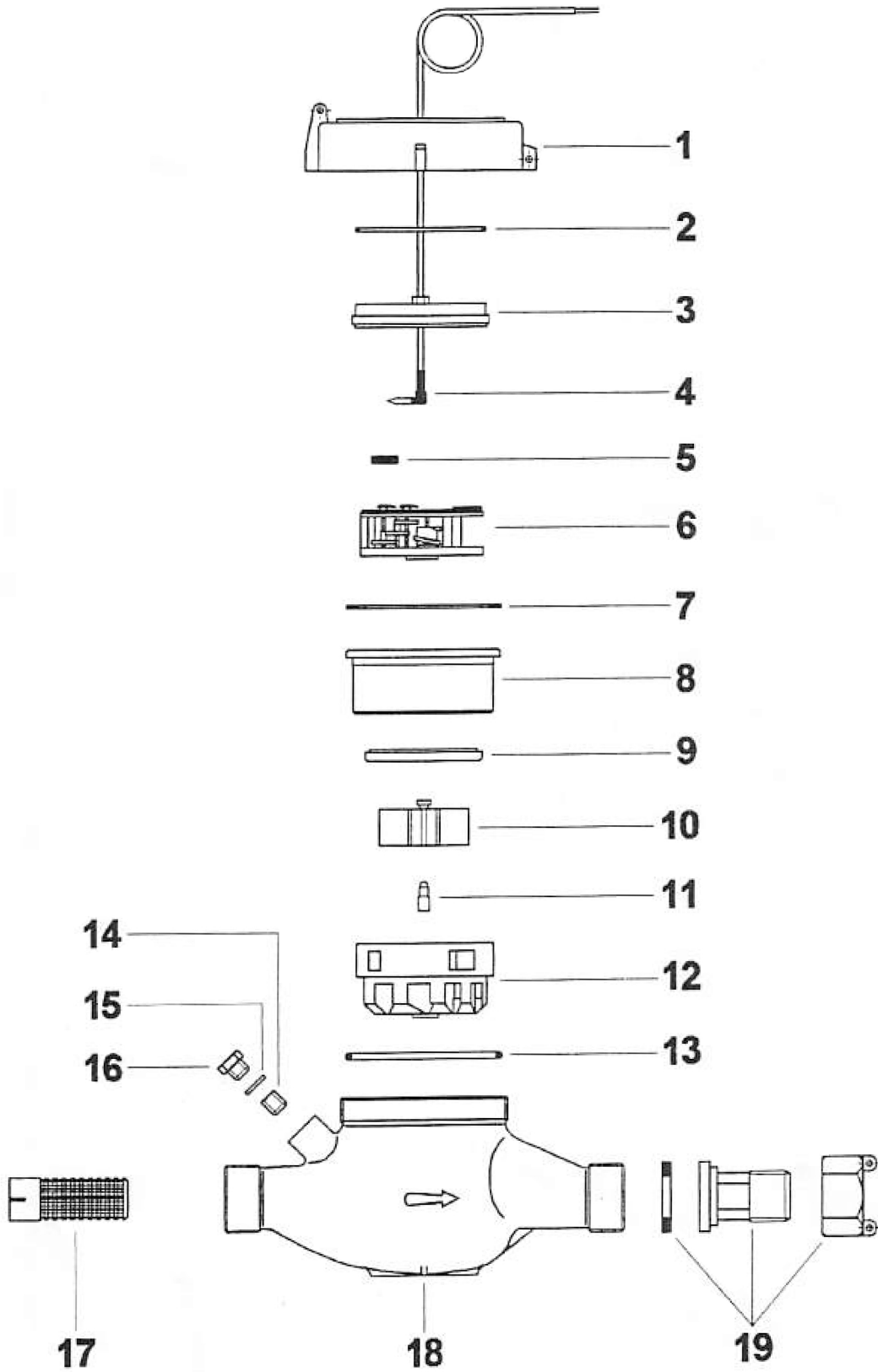




CRAIN D[®]
I M P I A N T I



| POS | DESCRIPTION |
|------------|---|
| 1 | HEAD CLOSING - RING NUT |
| 2 | O-Ring 55,25*2,62 |
| 3 | Closing Head cap with REED case |
| 4 | REED pulse emitter equipped with 1 mt cable |
| 5 | Hand with magnet |
| 6 | Clockwork for HotWater 90°C / ColdWater 35°C |
| 7 | Packing ring |
| 8 | Distinguisher - clocwork case |
| 9 | Distributor closing Plate |
| 10 | Turbine |
| 11 | Turbine support Pivot |
| 12 | Distributor |
| 13 | Distinguisher O-Ring |
| 14 | Calibration and setting screw |
| 15 | Calibration screw O-Ring |
| 16 | Calibration screw cap |
| 17 | Filter bag |
| 18 | Threaded connection flowmeter box |
| 19 | 2° Group connections complete of O-rings |

The diameter of the flowmeter must be specified in case of spare parts requests.