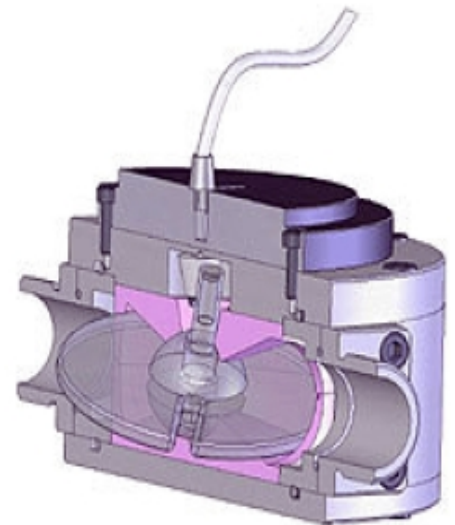
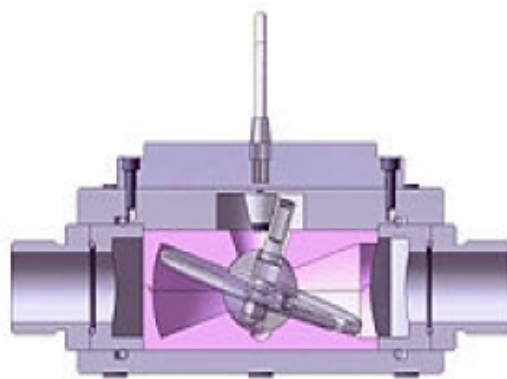


WITH HEATING JACKET



PRINCIPLE OF OPERATION

The liquid in a continuous way through the measuring chamber causes the movement "NUTATING" of the disc content in it. This type of volumetric meters allows the measurement of high viscosity fluids up to a maximum of 40,000 cps.

Thanks to the special configuration of the measuring chamber and of its disk nutante fluids transit are measured with high precision. Each rotation is transmitted to the sensor (reed switch) located outside the chamber, through the magnet in the spindle.

All movement is devoid of transmission gears and this allows easy maintenance and a long life of the meter. With our electronic equipment we can get a better accuracy of the measured of the 0.3 %. A whole series KDN can be applied shirts heating to maintain in temperature the products.